

HOIST PUSH BUTTON SWITCH



KH-702



KH-704



KH-706



KH-7062

FEATURES

- Body material of strong for shock
- Water-Resistance Type
- KH-7062 Type : With power switch(ON/OFF) and 2 speed control(UP, DOWN switch)
- Protection : IP 54

SPECIFICATIONS

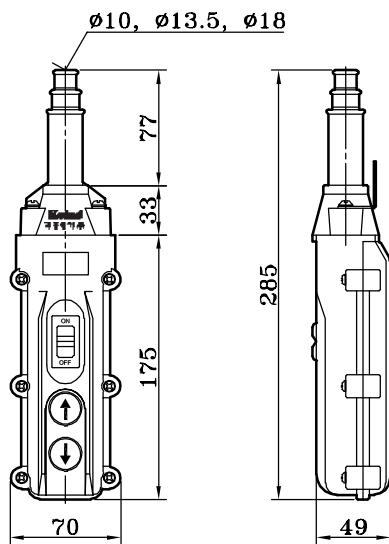
Classification		Model No.	KH-702	KH-704	KH-706	KH-7062	
Contact Rating (Resistive Load)	7A 250VAC						
	5A 380VAC						
Seesaw Switch Contact Rating (Resistive Load)	12A 125VAC				-		
	8A 250VAC				-		
Protection		IP 54					
Material	Body	Triloy					
	Button	ABS					
	Button cap	PC					
Weight		Approx. 332g	Approx. 383g	Approx. 537g	Approx. 736g		

PUSH BUTTON SWITCH

HOIST PUSH BUTTON SWITCH

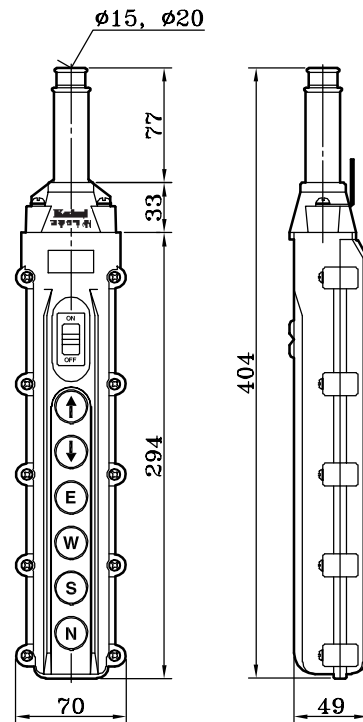
DIMENSIONS

KH-702



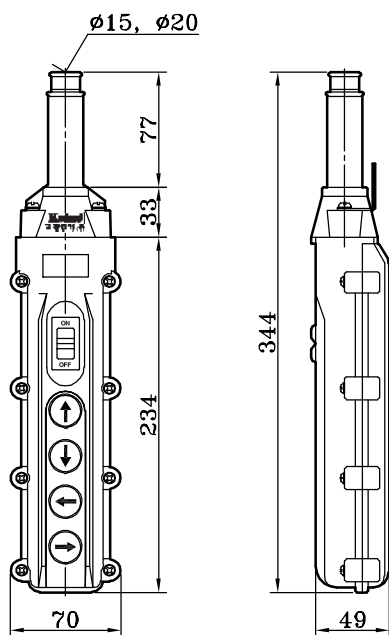
• Terminal Screw : M4×6

KH-706



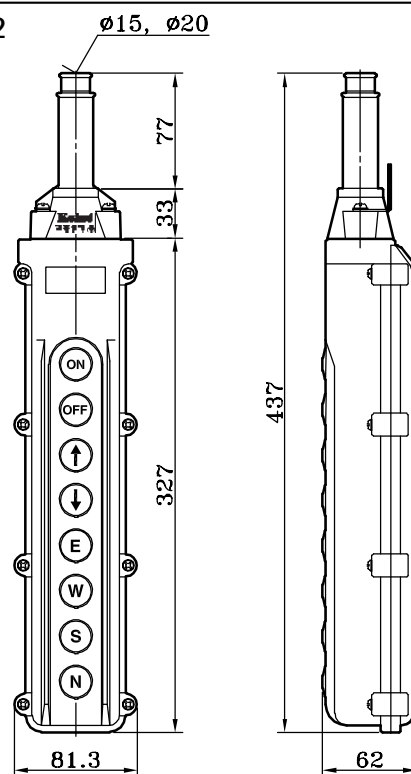
• Terminal Screw : M4×6

KH-704



• Terminal Screw : M4×6

KH-7062



• Terminal Screw : M4×6